

**ON-SITE  
STORM WATER  
SOURCE  
CONTROLS**

**Typical  
Rainwater Tank  
with Infiltration  
Design**

Storm Water  
Management  
North Side Lot

DATE: DEC. 14, 2016

REV. NO.: 0

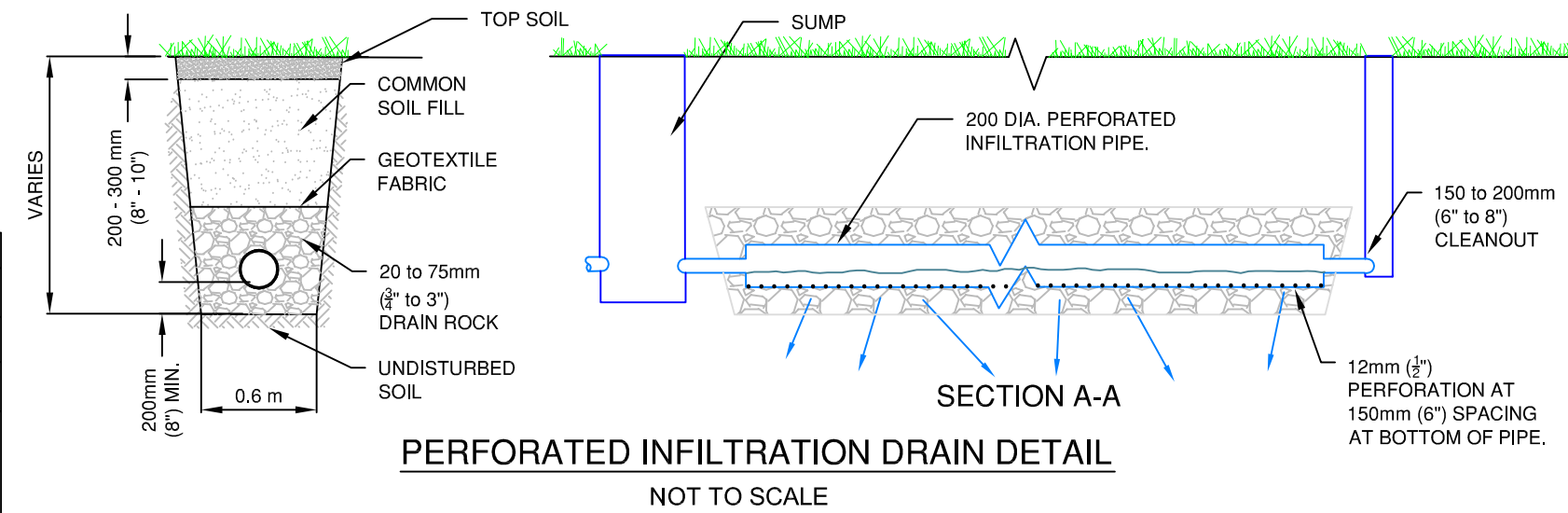
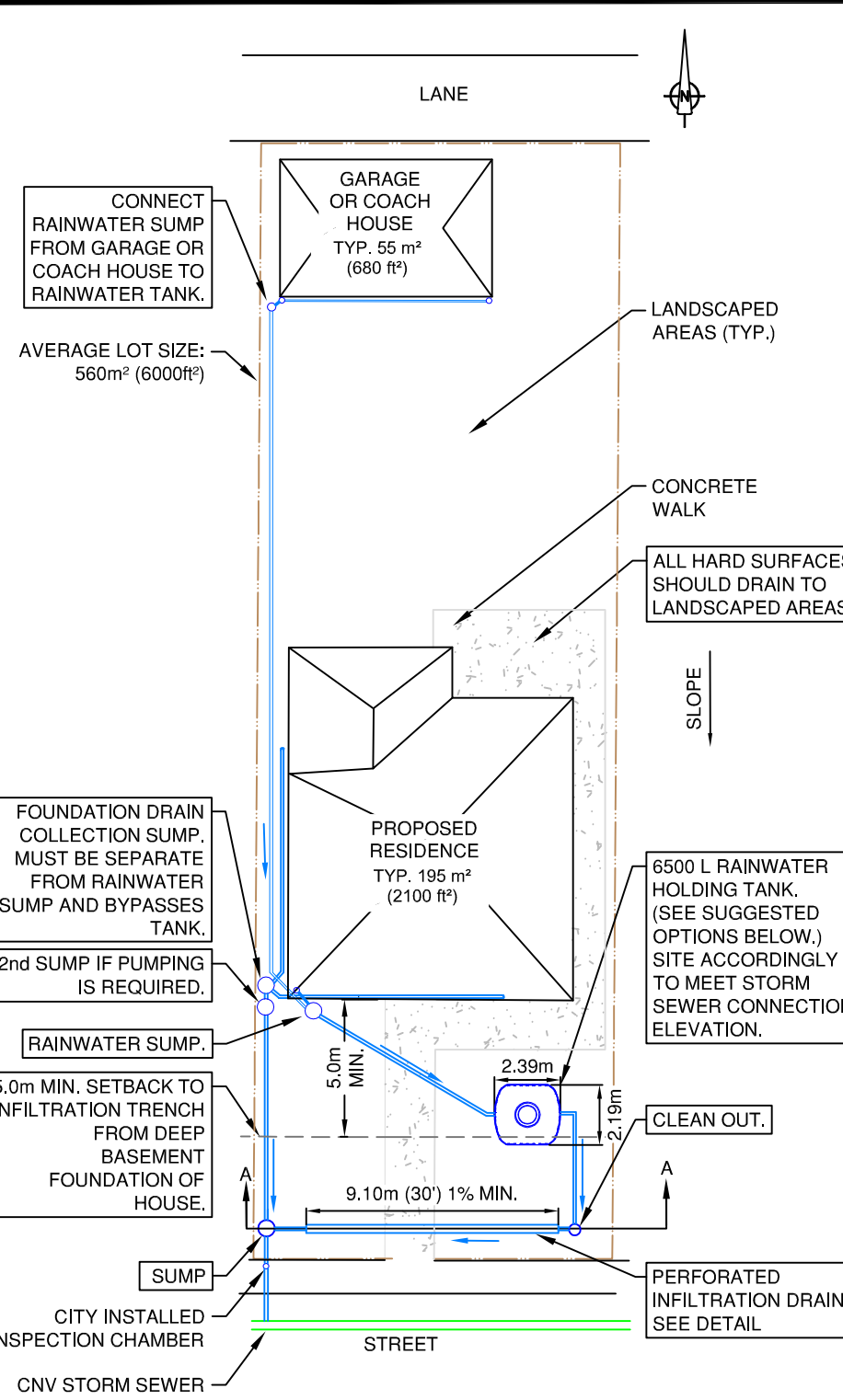
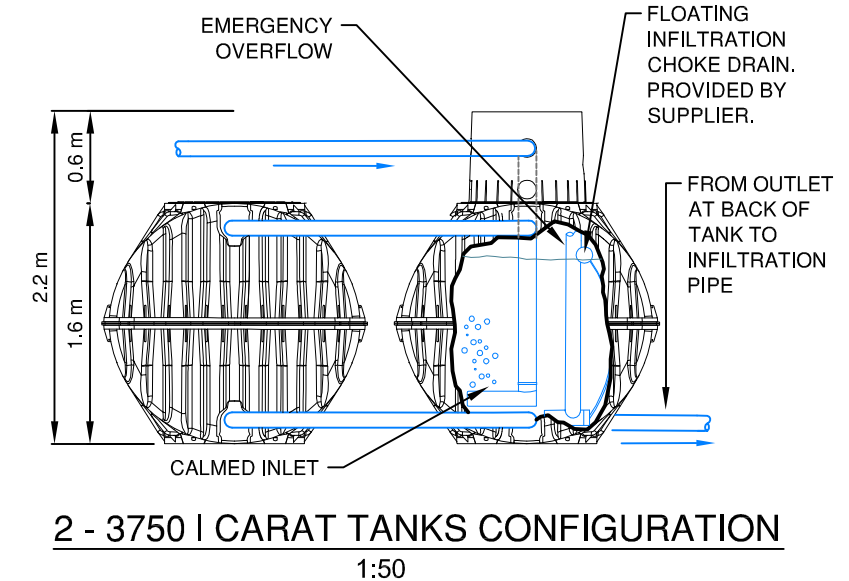
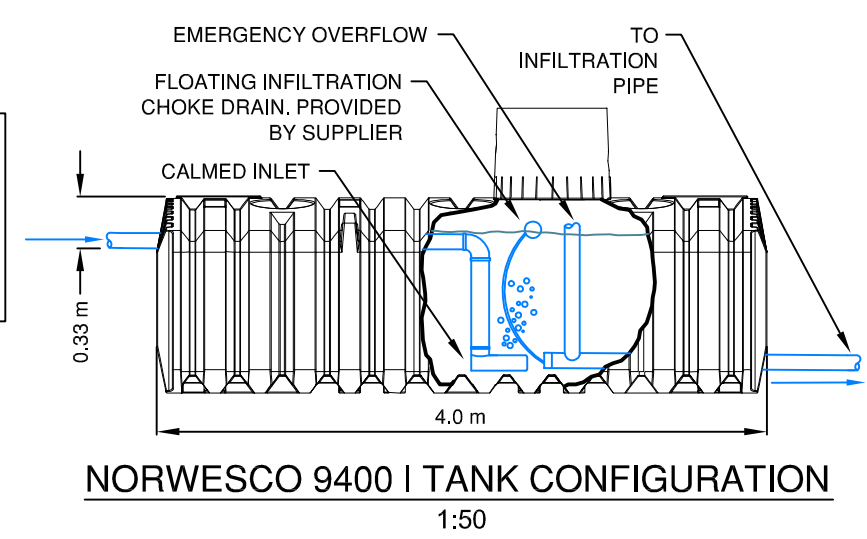
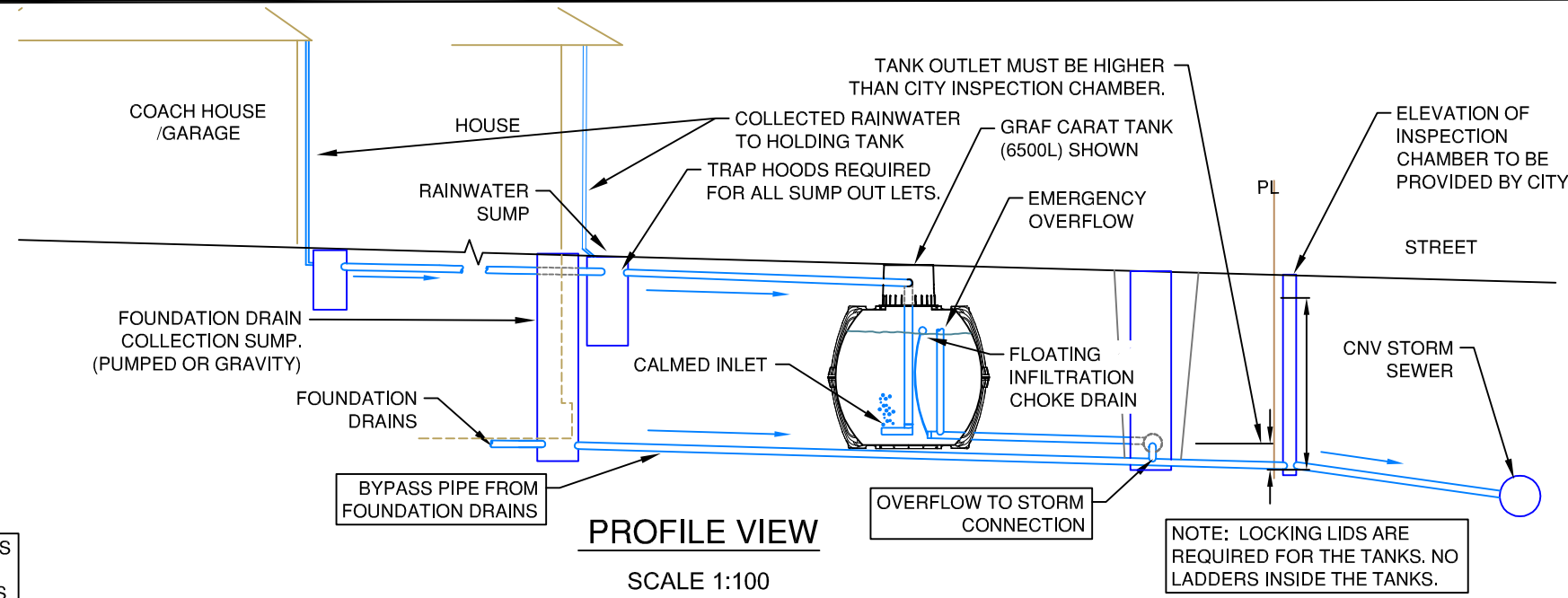
DWG.No.: SWMP - 03

SCALE: AS SHOWN

DRAWN: JN

CHECKED: DTM

APPROVED: DTM



SUGGESTED RAINWATER TANKS					
NAME	VOLUME (LITER)	COMPANY	CONTACT	TOTAL HEIGHT	
GRAF CARAT 6500 I	6500	BARR PLASTICS	604-852-8522	2.7 m (8'11")	TALLEST TANK
GRAF CARAT3750 I (2 TANK) SYSTEM	7500	BARR PLASTICS	604-852-8522	2.2 m (7'3")	MID HEIGHT
NORWESCO 9400 I HOLDING TANK C/W GRAF FLOATING OUTLET.	9400	BARR PLASTICS	604-852-8522	1.3 m (4'2")	LOWEST PROFILE

FILE: X:\PEP PROJECTS\5225 DRAINAGE AND FLOOD CONTROL\5225-01 STOM SEWER PLANNING AND ASSESSMENT\400-WORK\DEVELOPMENT CONTROL STANDARDS\2-RAINWATER TANK WITH INFILTRATION\CNV SWMP - 03-04 - RAINWATER TANK WITH INFILTRATION - 20161201.DWG USER: JN\YVAL