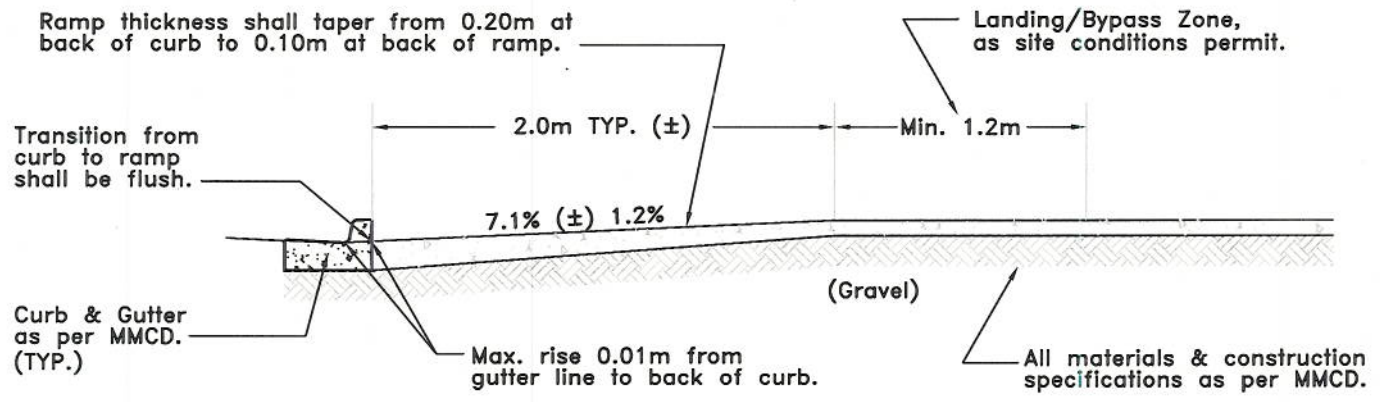


Note: Standard ramp length = 2.0m Typ.(±) at centre of ramp.
 Recommended ramp slope = 7.1% ± 1.2%.
 Max. slope = 8.3% (1:12) where topography permits.
 Adjust length of ramp as required.
 When site condition do not permit typical layout,
 contact City Engineer for approval of design.



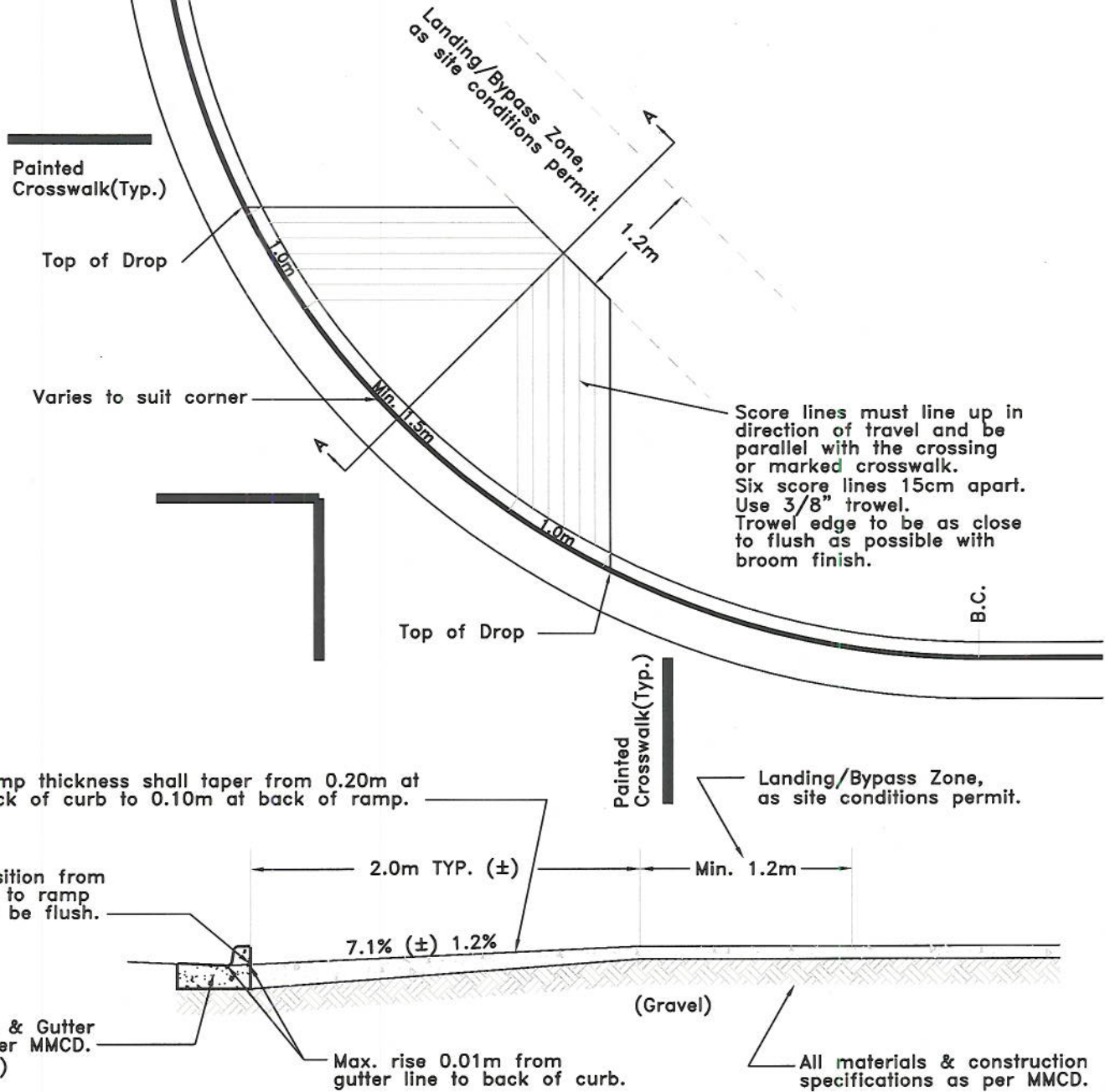
SECTION A-A CURB RAMP

(N.T.S.) METRIC

CITY OF NORTH VANCOUVER
DOUBLE CURB RAMP DESIGN DETAIL

DRAWN: N. WONG	DATE: Feb 18 / 2013	DWG.No. SA1-CURB-14 1 of 3
CHECKED: C. PERRY/A. KURNICKI	APPROVED: <i>[Signature]</i>	

Note: Standard ramp length = 2.0m Typ.(±) at centre of ramp.
 Recommended ramp slope = 7.1% ± 1.2%.
 Max. slope = 8.3% (1:12) where topography permits.
 Adjust length of ramp as required.
 When site condition do not permit typical layout,
 contact City Engineer for approval of design.



SECTION A-A CURB RAMP

(N.T.S.)

METRIC

CITY OF NORTH VANCOUVER

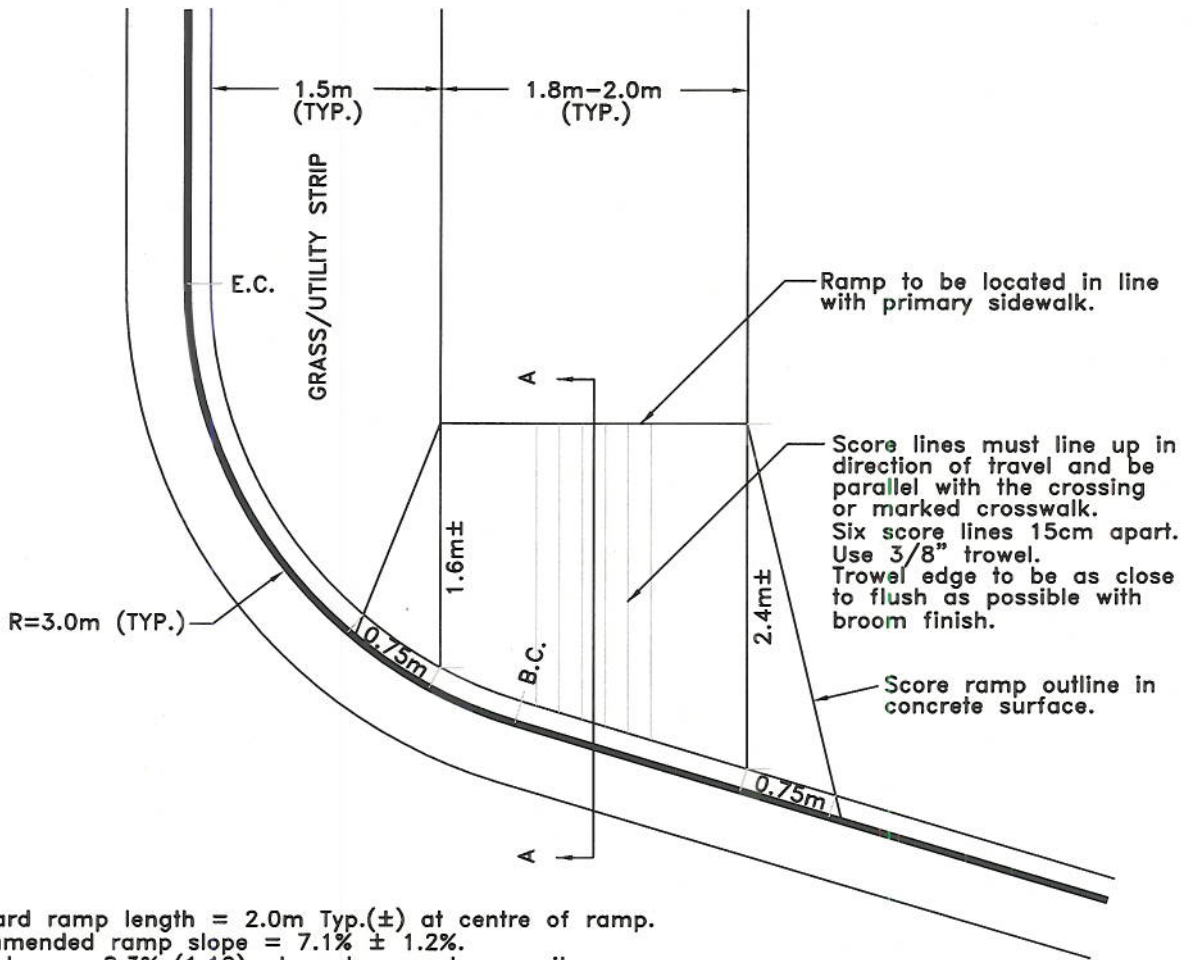
SINGLE CURB RAMP DESIGN DETAIL

DRAWN: N. WONG
 CHECKED: C. PERRY/A. KURNICKI

DATE: Feb 18/2013
 APPROVED: [Signature]

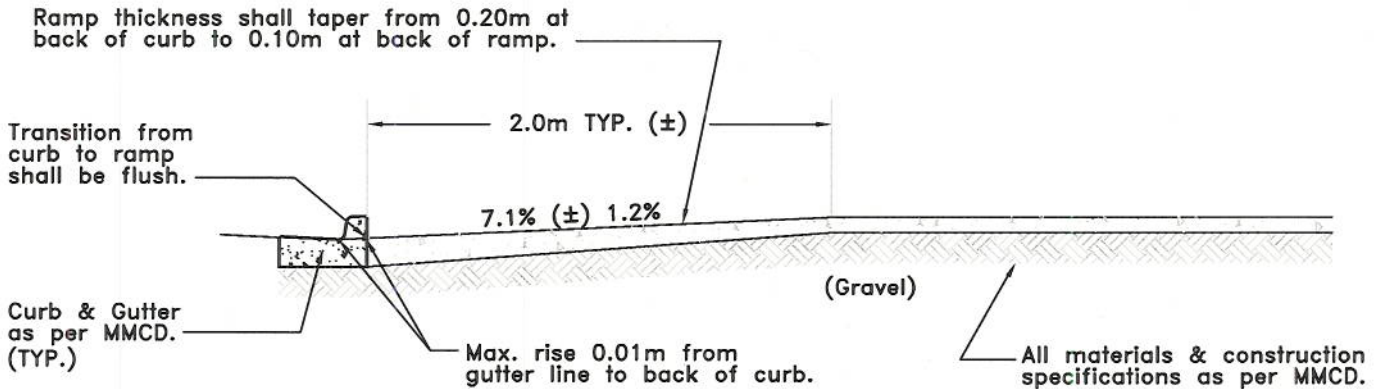
DWG.No. SA1-CURB-14
 2 of 3

STREET



Note: Standard ramp length = 2.0m Typ.(±) at centre of ramp.
 Recommended ramp slope = 7.1% ± 1.2%.
 Max. slope = 8.3% (1:12) where topography permits.
 Adjust length of ramp as required.
 When site condition do not permit typical layout,
 contact City Engineer for approval of design.

LANE



SECTION A-A CURB RAMP

(N.T.S.)

METRIC

CITY OF NORTH VANCOUVER

LANE CURB RAMP DESIGN DETAIL

DRAWN: N. WONG

DATE: Feb 18/2013

DWG.No.

SA1-CURB-14

CHECKED: C. PERRY/A. KURNICKI

APPROVED: *R. J. J. J.*

3 of 3