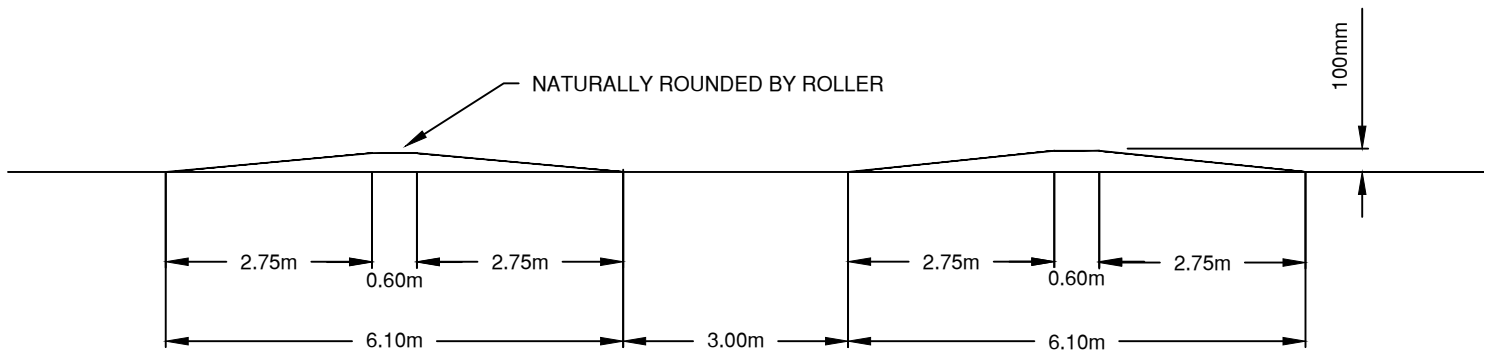


PLAN VIEW



SIDE PROFILE

(N.T.S.)

METRIC

CITY OF NORTH VANCOUVER

SPEED ARRESTORS FOR MIXED USE AND COMMERCIAL LANES

DRAWN: JN

DATE: NOVEMBER, 2019

DWG.No. R6S

CHECKED: KK

APPROVED: K. KUZMANOVSKI