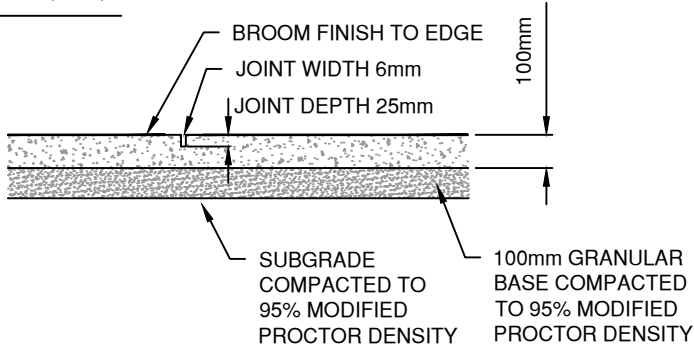


PLAN VIEW



DETAIL: SAW CUT FINISH

NOTES:

1. HIGH VOLUME PEDESTRIAN AREAS REQUIRE 2.0m WIDE SIDEWALKS. LOW VOLUME AREAS REQUIRE A WIDTH OF 1.8m. CNV STAFF WILL PROVIDE DIRECTION AS TO WHICH IS REQUIRED.
2. ELEVATION TRANSITION BETWEEN NEW AND EXISTING SIDEWALK PANELS SHOULD BE SMOOTH. LESS THAN 8% OVER 2m.

(N.T.S.)

METRIC

CITY OF NORTH VANCOUVER

STANDARD SIDEWALK - RESIDENTIAL SAW CUT

DRAWN: J. NYVALL CHECKED: C. LINDGREN	DATE: JULY 2021 APPROVED: J. HALL	DWG.No. C20S
--	--------------------------------------	--------------